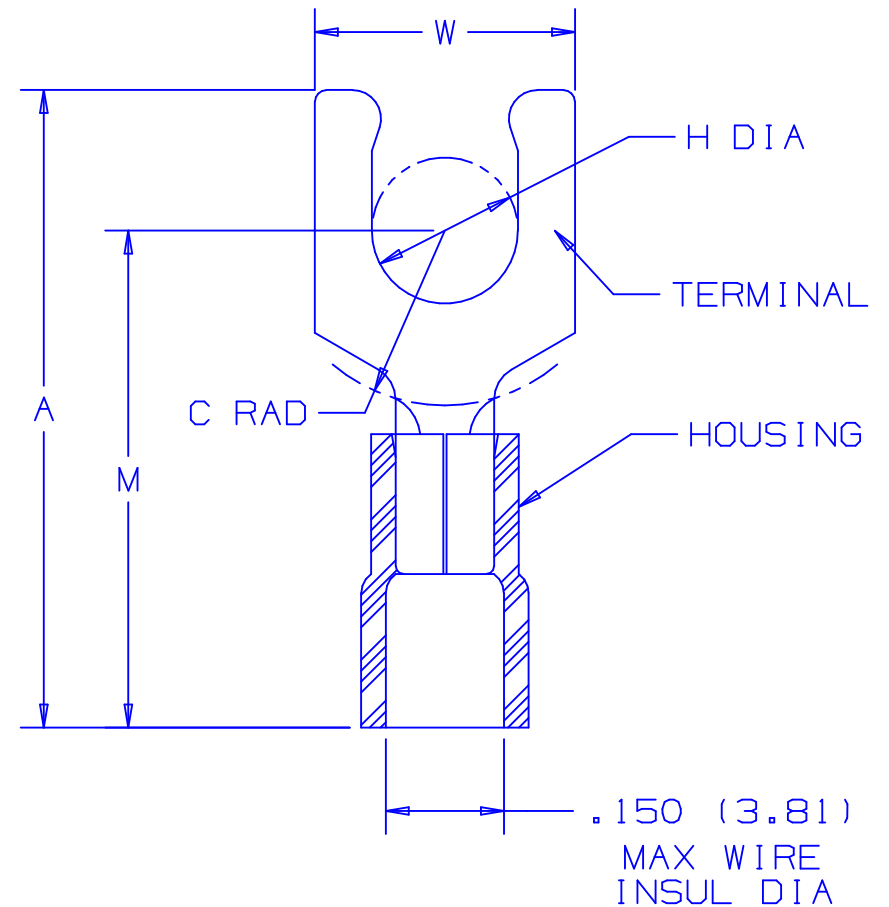


THIS COPY IS PROVIDED ON A RESTRICTED BASIS AND IS NOT TO BE USED IN ANY WAY DETRIMENTAL TO THE INTERESTS OF PANDUIT CORP.

PANDUIT PART NUMBER		STUD SIZE	DIMENSIONS in.				
PREFIX	PK		A $\pm .03$	W $\pm .01$	C MIN	M $\pm .03$	H $\pm .01$
PV18-5SLF	-C -M -MY	#5	.82 (20.83)	.26 (6.60)	.19 (4.83)	.70 (17.78)	.13 (3.30)
PV18-6SLF	-C -M -MY	#6	.82 (20.83)	.27 (6.86)	.19 (4.83)	.70 (17.78)	.14 (3.56)
PV18-8SLF	-C -M -MY	#8	.87 (22.10)	.29 (7.37)	.23 (5.84)	.75 (19.05)	.16 (4.06)
PV18-10SLF	-C -M -MY	#10	.88 (22.35)	.33 (8.38)	.23 (5.84)	.74 (18.80)	.19 (4.83)



NOTES:

- CSA CERTIFIED FOR:
 - A. 600 V MAX. VOLTAGE RATING
 - B. 221°F (105°C) MAX. TEMP. RATING
 - C. #22-18 AWG STRANDED COPPER WIRE
- PACKAGE QTY.: STD C=100
BULK M=1000, MY=1000
- MATERIAL:
 - A. STAMPING - .032 (.81) THK COPPER, TIN PLATED
 - B. HOUSING - RED VINYL
- WIRE STRIP LENGTH: $5/16 \begin{matrix} +1/32 \\ -0 \end{matrix}$ (7.9 $\begin{matrix} +.8 \\ -.0 \end{matrix}$)
- DIMENSIONS IN BRACKETS ARE IN MILLIMETERS
- INSTALLATION TOOLS:
 - A. CSA APPROVED: CT-510, CT-1551, CT-1550
 - B. PANDUIT APPROVED: CT-400



CERTIFIED LR31212

05	5/05	JHNU		ADDED PACKAGING CODE "MY" TO DRAWING.				
04	1/01	RM	SKB	FILESPEC WAS N41460AA_PCD_03	08933	JAC	CCH	
03		JKD		ADDED CT-1551 & CT-1550 TOOLS	07632			
02	12/94	TH	RLS	UPDATED NOTES AND DIMENSIONS	02708	LA	TFKE	
01	3/91	DL		TANG WIDTH INCREASED PART NO PV18-5SLF, PV18-6SLF	00403	LA	KRS	
REV	DATE	BY	CHK	DESCRIPTION	ECN #	CUST	PM	

A41460_05

PANDUIT CORP.

TINLEY PARK, ILLINOIS

#22-18 BARREL VINYL INSULATED
SHORT LOCKING FORK .150 MAX INSUL DIA

DRAWN BY	CHK'D	SCALE	DRAWING NO.
DRL	RLS	NONE	A41460